



## CYBERSECURITY

# Control Firewall

## Robust Network Defense

When operating critical infrastructure, a firewall is a proven and effective defense against outside tampering and interference. But it's not enough to simply buy one — it has to be installed and configured correctly to ensure your facility's equipment can continue to operate without issue.

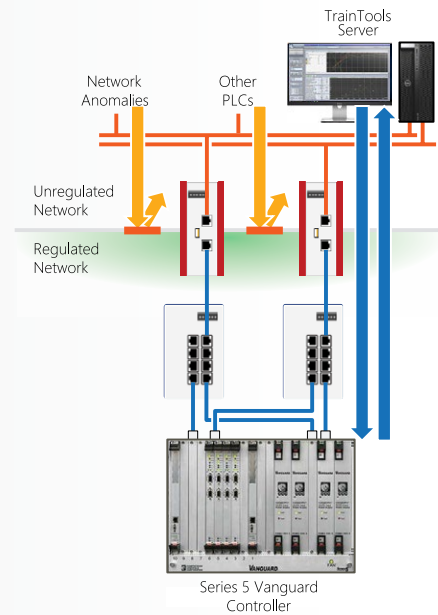
Cybersecurity attacks such as network storms are known to negatively impact the availability of industrial control systems (ICS). Maintenance of network devices — including firmware updates — may also unintentionally produce anomalous network traffic. Properly-configured firewall devices provide effective isolation of the regulated ICS network and help protect your critical control systems.

## Expertly Configured and Rigorously Tested

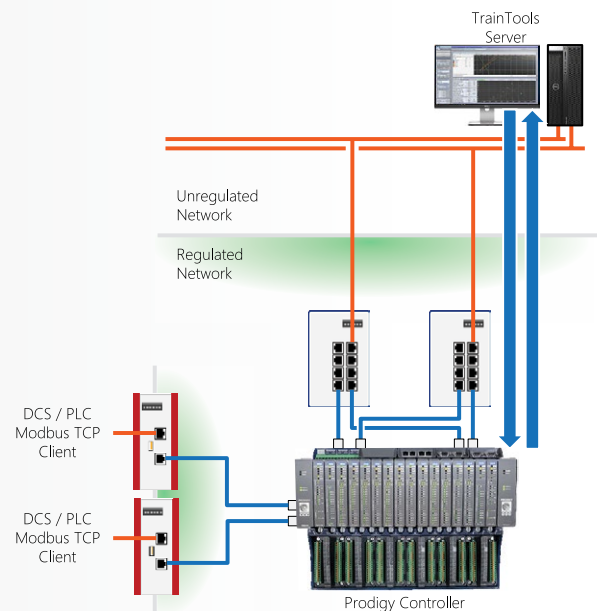
CCC project engineers configure and test each firewall to maximize controller protection while ensuring the integrity of data communications. This helps reduce the on-site work for faster and trouble-free commissioning experience.

Self-installation and configuration of a firewall can lead to numerous issues down the line, including network interruptions and insufficient protection. Put the defense of your critical assets in expert hands — **contact CCC today to get your firewall project underway.**

### 1 Firewall for Series 5 Vanguard



### 2 Firewall for Prodigy (Modbus TCP)



USA | CCC Global Headquarters  
4745 121st Street  
Des Moines, IA 50323-2316 USA  
+1-515-270-0857  
[www.cccglobal.com](http://www.cccglobal.com)  
[DL-CCC-Solutions@honeywell.com](mailto:DL-CCC-Solutions@honeywell.com)